

Design for pedestrian access control Flap Barrier KVS-F450

Overview

KAVASS'flap barrier is a good solution for access control. Access can be controlled optionally. Barrier will open when it receives signal of control system or remote control. And in-built alarm system will activate if an unauthorized person tries to tail people or enter from the opposite direction. If people do not pass the barrier in time after get authorization, barrier will close and reset.

Our Competitive Advantages

- User safety
Emergency operation
- Durability
Suitable for stream of people
- Easy to install
Completely pre-assembled
- Support
24 hours 7 days
- Easy maintenance
Modular design
- Guarantee
1~3 years
- Exquisite craft
Laser cutting



Feature

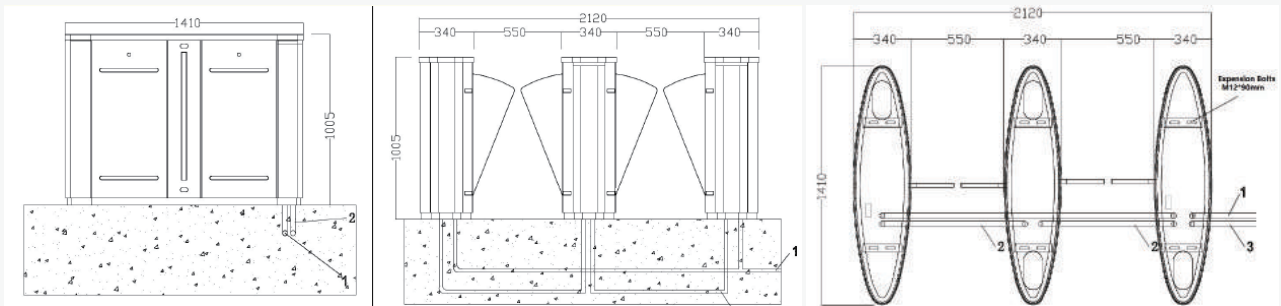
- Architectural esthetic design, high quality brushing 304SS, stainless steel frame.
- Smooth operation, reliable performance , low noisy
- Fraud Detection through sophisticated and proven algorithm.
- Top quality infrared sensor and logic control system ensure users' safety
- Flexible extendibility. Operated by access control system and manual control both are available
- Easy installation and low cost maintenance due to modular design



Technical Parameters

Type	KVS-F450	Motor voltage	24V
Dimension	1410*340*1005mm	Temperature	-25 °C ~+70 °C
Net weight	single core:99kg; double core:124kg	Environment	Indoor,Outdoor with shelter
Lane width	≤550mm	Input Signal	Dry contact/Relay signal
Housing material	304 Stainless steel ;Thickness:1.5mm	Emergency open	Yes
Surface finish	Standard hairline polish	IP	55
Close/open time	0.3s	MCBF	3.5 million
Pass rate	35 persons/minute	Supply voltage	100V~240V
Control	Access control system/manual control When power off both directions are free	Optional accessories	Proximity card reader, finger print reader , Bar codereader, access controller,Push Button, UPS




Installation Draw




Unit:mm

- Power wire tube
- Communication wire tube
- RS486,TCP/IP or other type of opening signal wire tube

Contact Us

 www.ikavass.com
 info@ikavass.com
 +86-571-88690663

 BuildingB,Zijin Pioneer Park,859# Shixiang west street,Hangzhou city,Zhejiang,China