

Fixed Bollard

KAVASS fixed bollards are designed for vehicle access control requirement of residential area, commercial and retail premises, walk street, plaza etc. Offered in 2 designs: in-ground for installation into a concrete footing or surface mounted for bolted installation.



APPLICATION

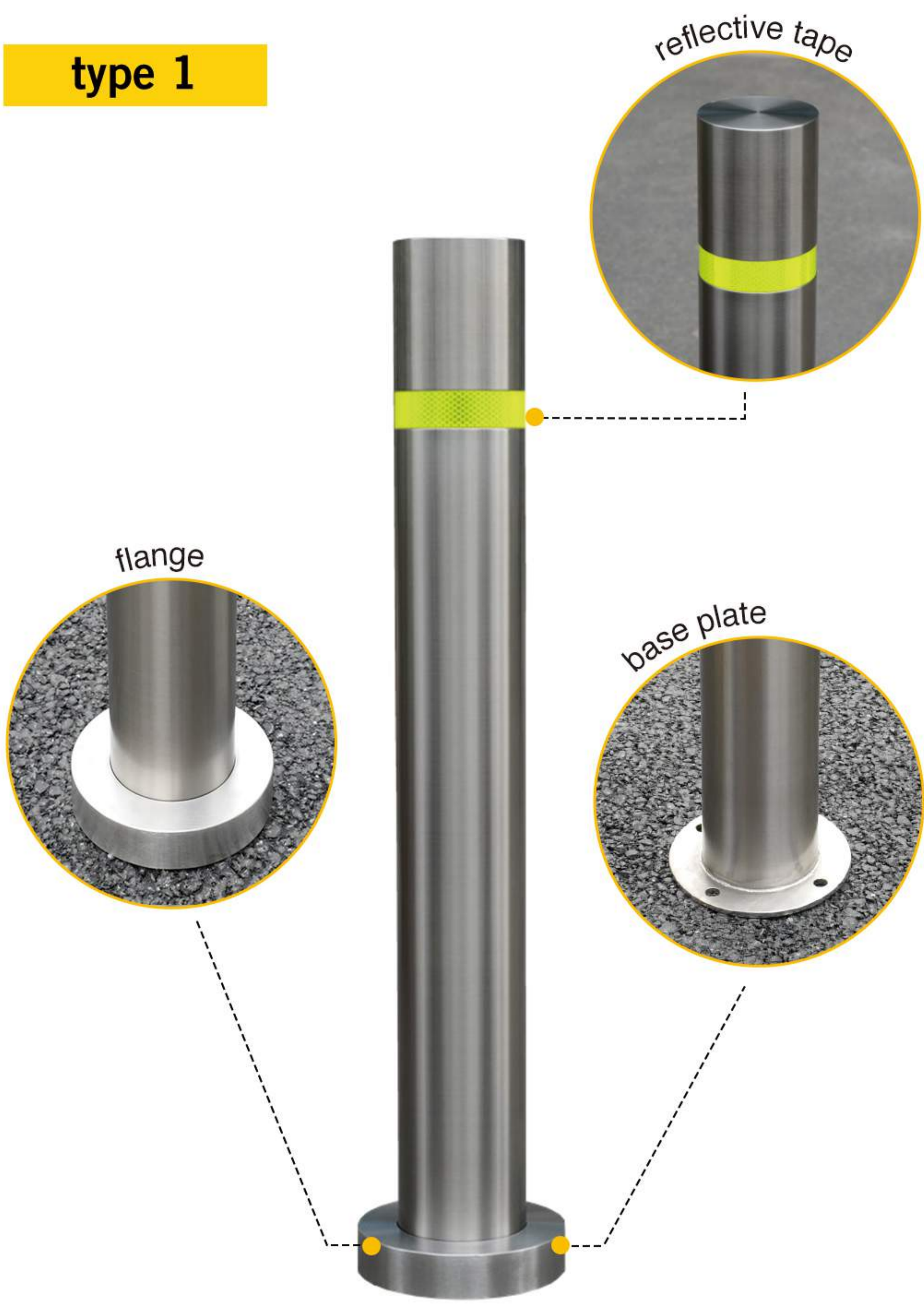
1. Retail Shopping Centres
2. Hotel
3. Office Building
4. Pedestrian Zone
5. Residential streets

ADVANTAGES

1. High resistance to corrosion and weathering.
2. Economical and easy to install.
3. Low-cost installation and maintenance.
4. Polished finish or Galvanized + powder coated finish as standard.
5. 3M diamond level reflective tape for warning.
6. Color and material can be customized.



type 1

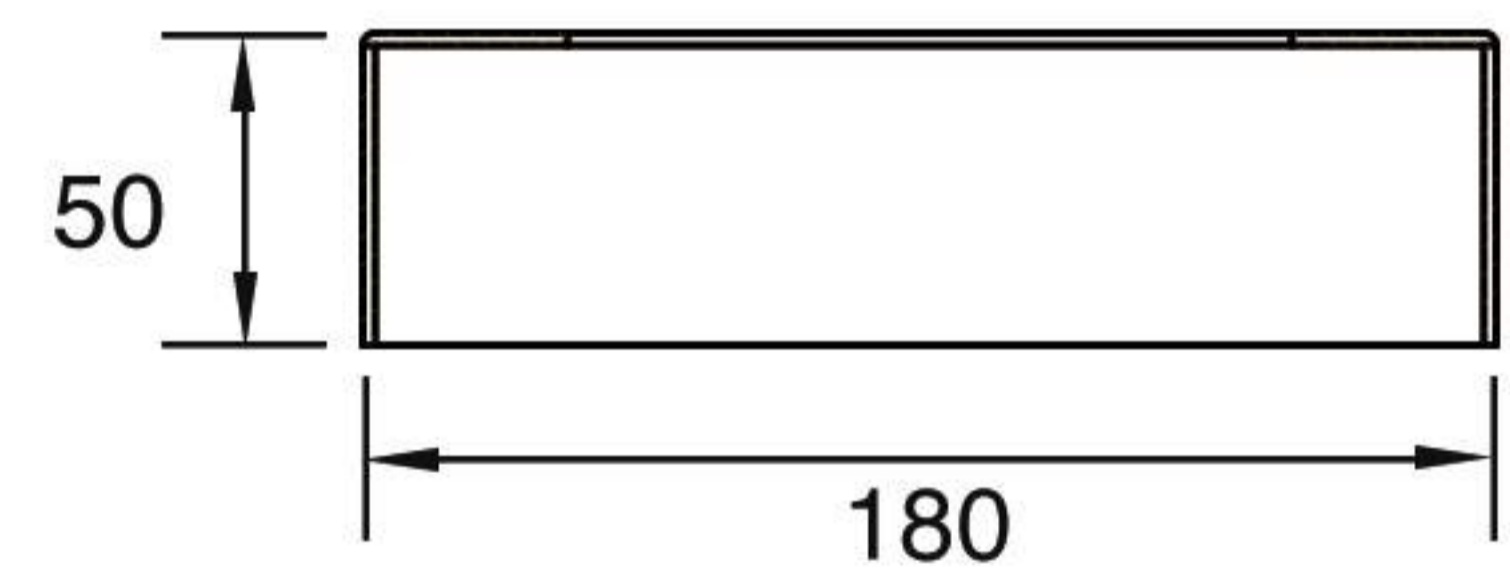
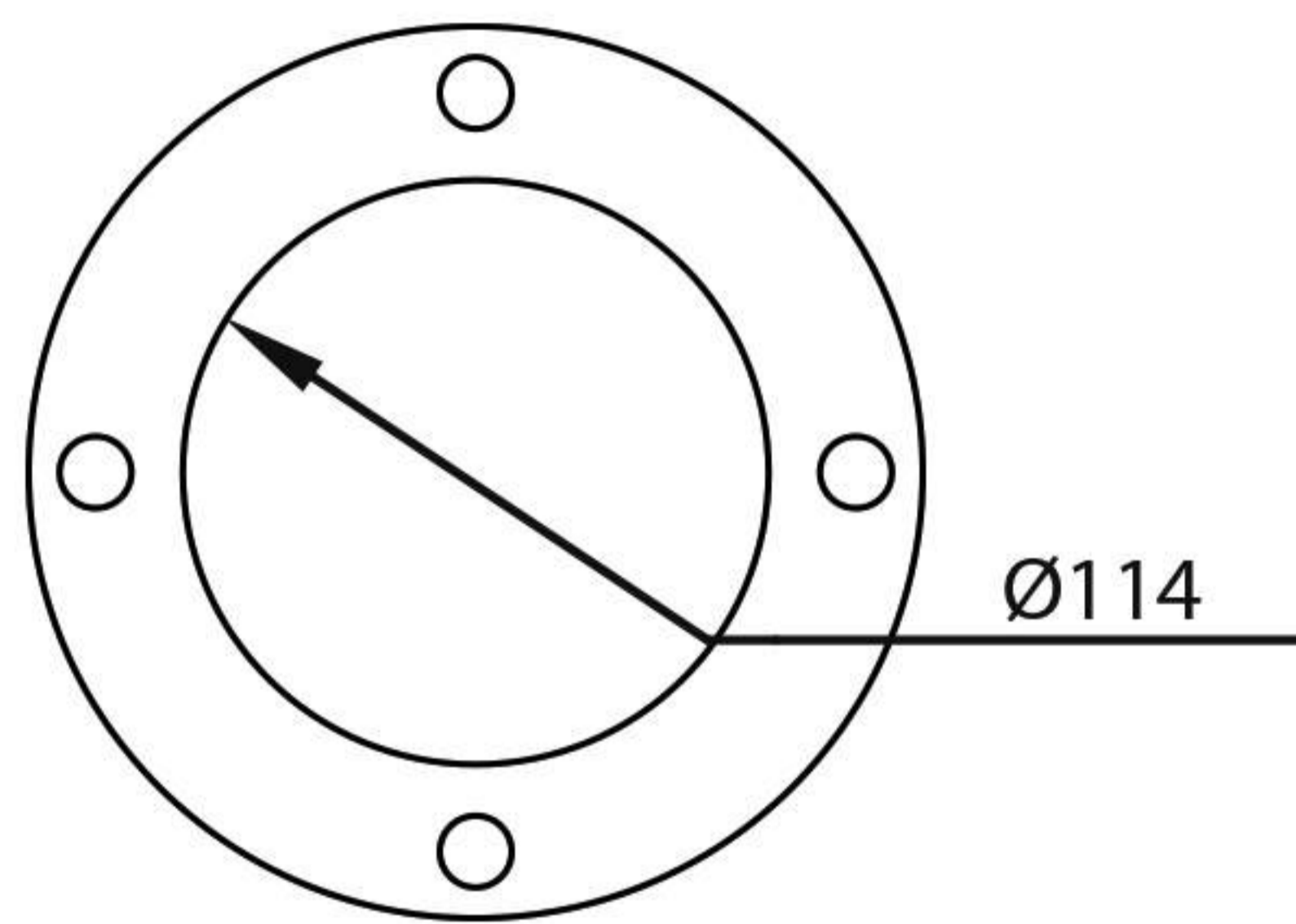
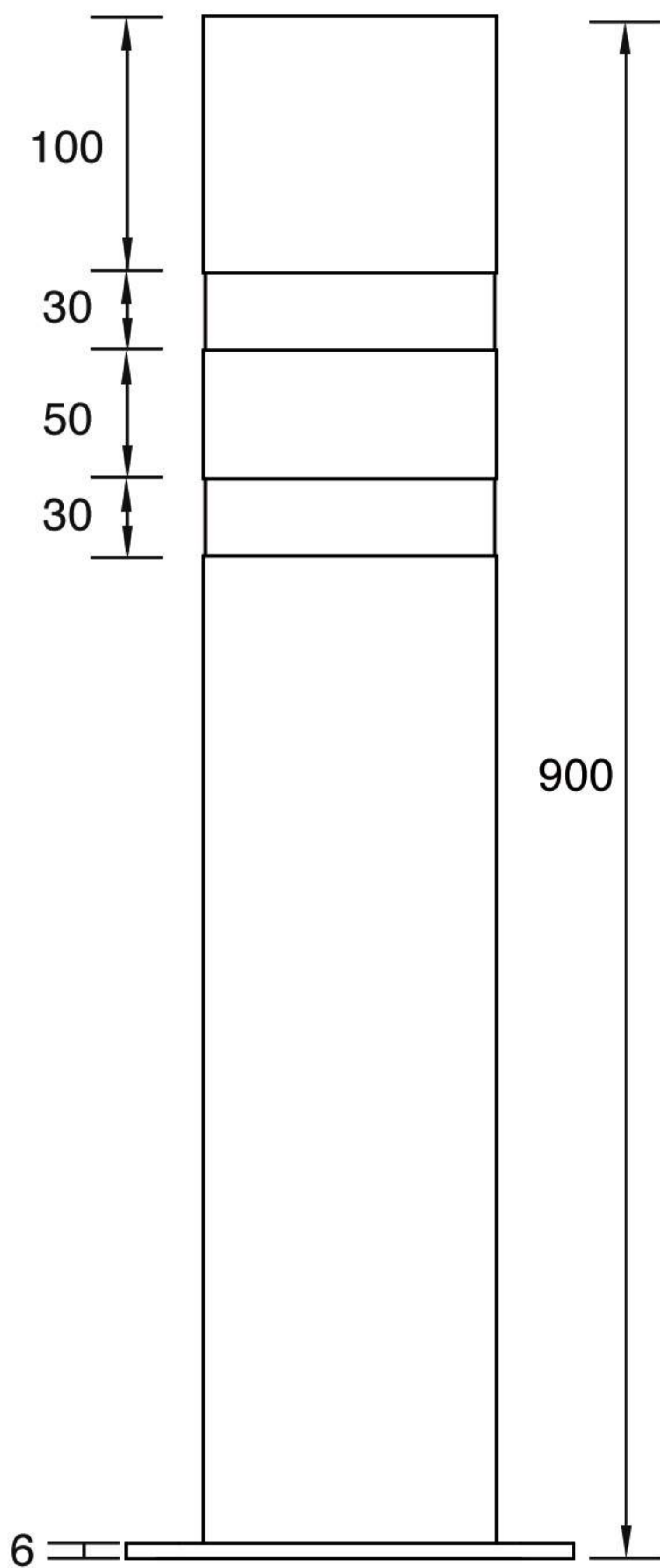


Features

- Surface mounted
- No extra depth digging
- Easy installation
- High quality Stainless Steel
- Polish and brush finish
- Can be customized of 304SS or 316SS

Optional

- Reflective tape: Colour & Quantity
- Flange Plate
- Fixings



Technical Specs-type1	
Model Name	KGH-SFB-114.900.3
Diameter	114mm
Height	900mm
Thickness	3mm
Material	Carbon Steel/304SS/316SS
Handle Type	Standard
Colour	Yellow/Black/Sliver
Surface Treatment	Carbon Steel:Hot galvanizing and Spraying 304SS/316SS:Brushed and Polished

type 2

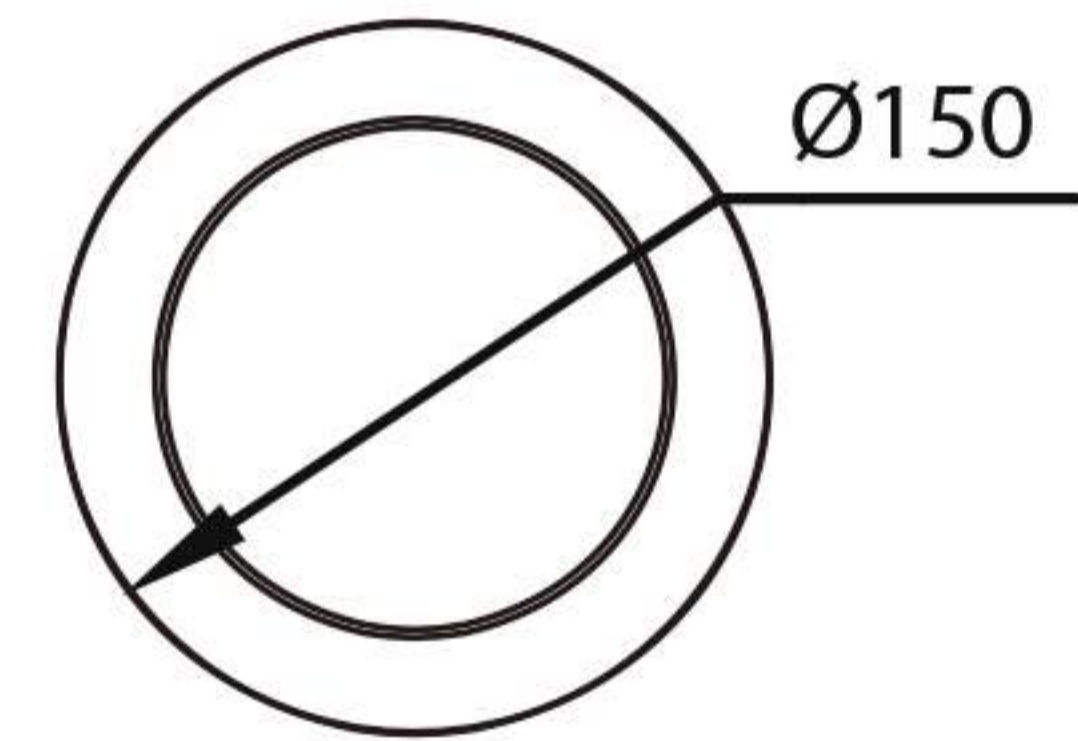
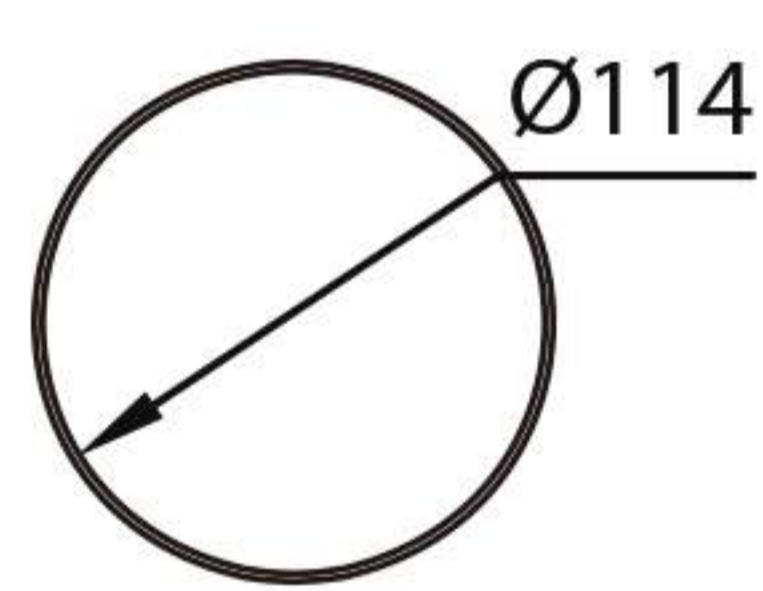
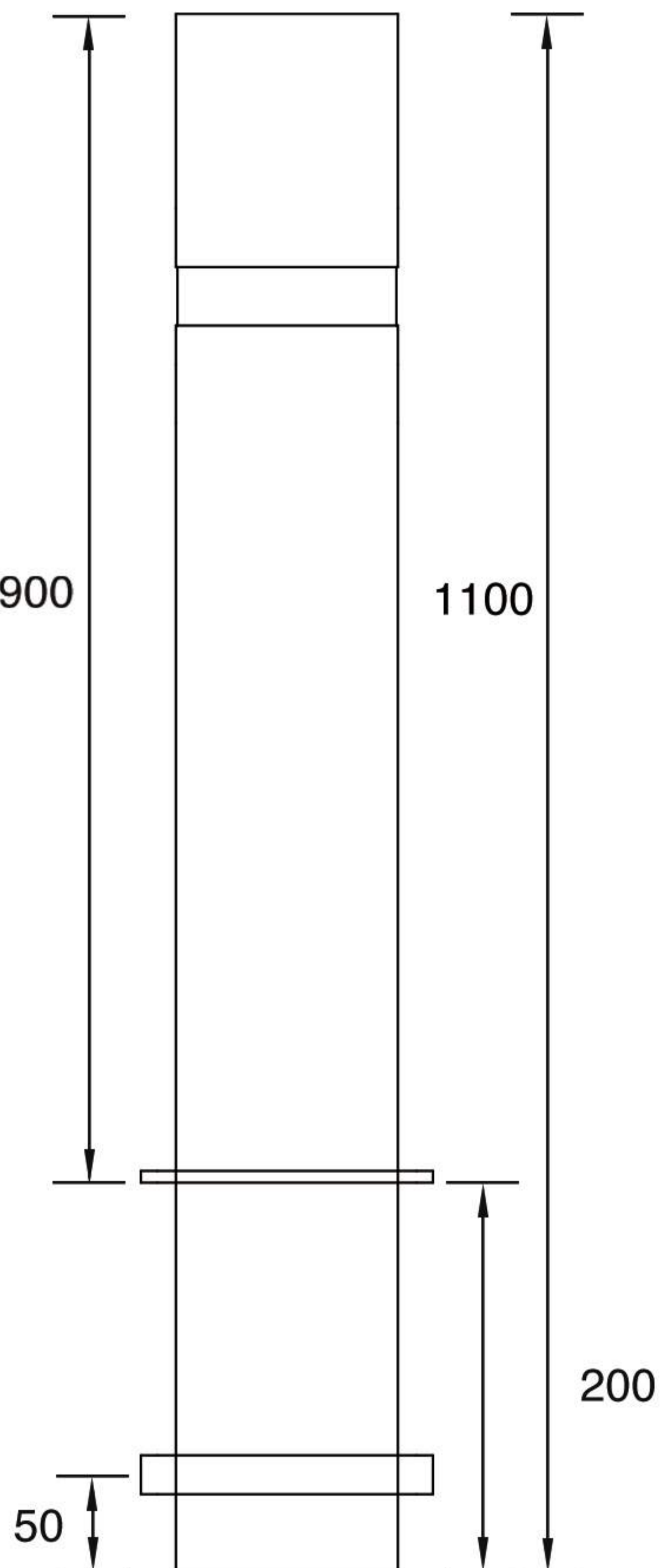


Features

- In-ground Model
- Polished and Brushed finish
- High quality Stainless Steel
- Low-cost installation and maintenance
- Customized size and material
- 3M diamond Reflective tape

Optional

- Flange Ring
- Reflective tape
- Fixings



Technical Specs-type1	
Model Name	KGH-IFB-114.900.3
Diameter	114mm
Height	900mm
Thickness	3mm
Material	Carbon Steel/304SS/316SS
Handle Type	Standard
Colour	Yellow/Black/Sliver
Surface Treatment	Carbon Steel:Hot galvanizing and Spraying 304SS/316SS:Brushed and Polished