



## Manual Retractable Bollard



The manual retractable bollard is used for Restricted Area, which requires a lower level of security. It is a highly effective way to prevent unwanted vehicle access and deter ram raids. When the bollard retracts fully below ground, it does not need to be taken off-site for storage.

### ADVANTAGES

1. A single key-locking mechanism ensures quick and easy access to restricted areas.
2. The clean and versatile design is highly visible and available with alternative mountings for consistent aesthetics that suit any modern building or landscape.
3. High-quality with surface treatment features high resistance to corrosion and weathering. Posts ship standard with 1 of 4 colored reflector stripes.

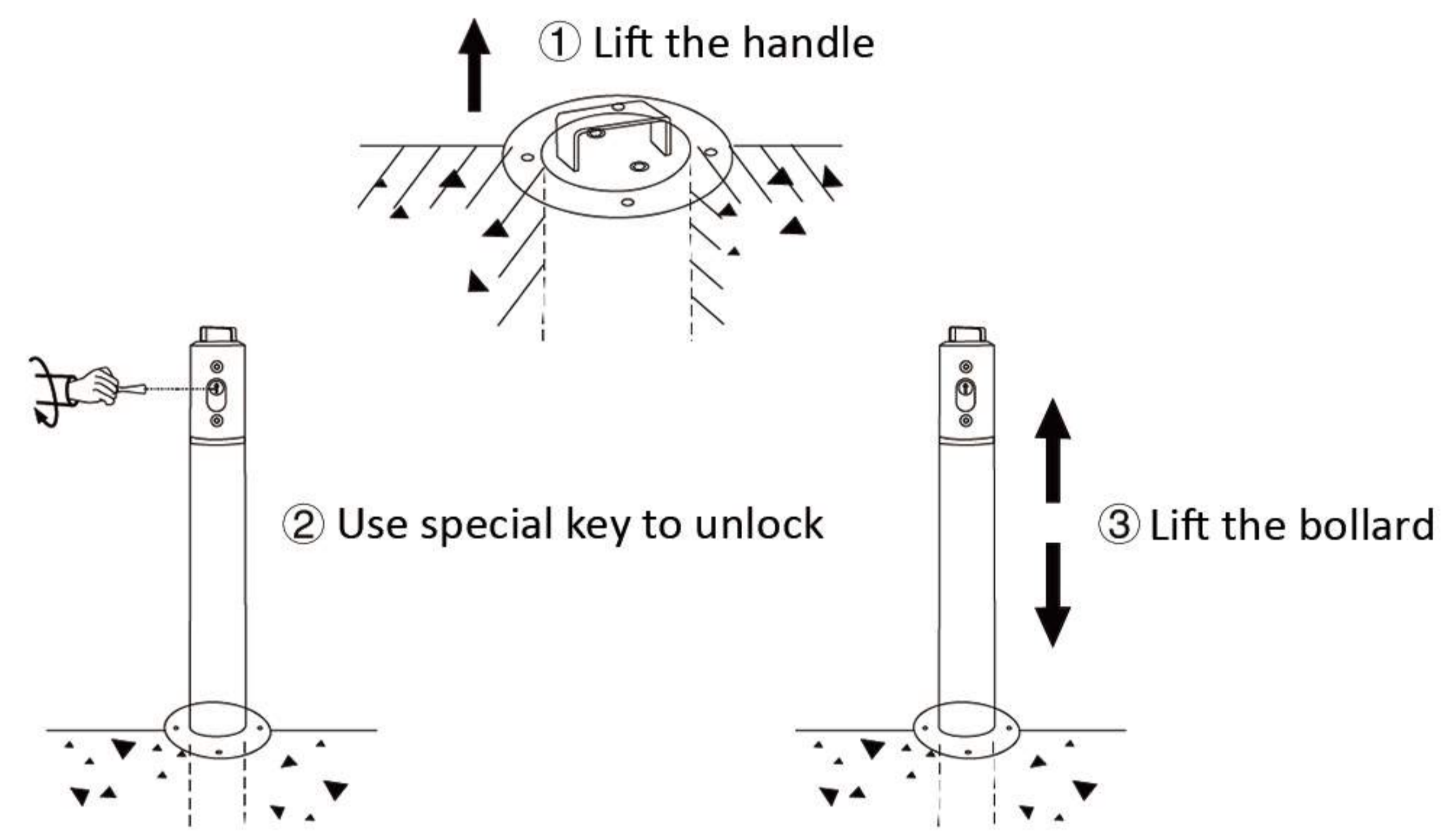
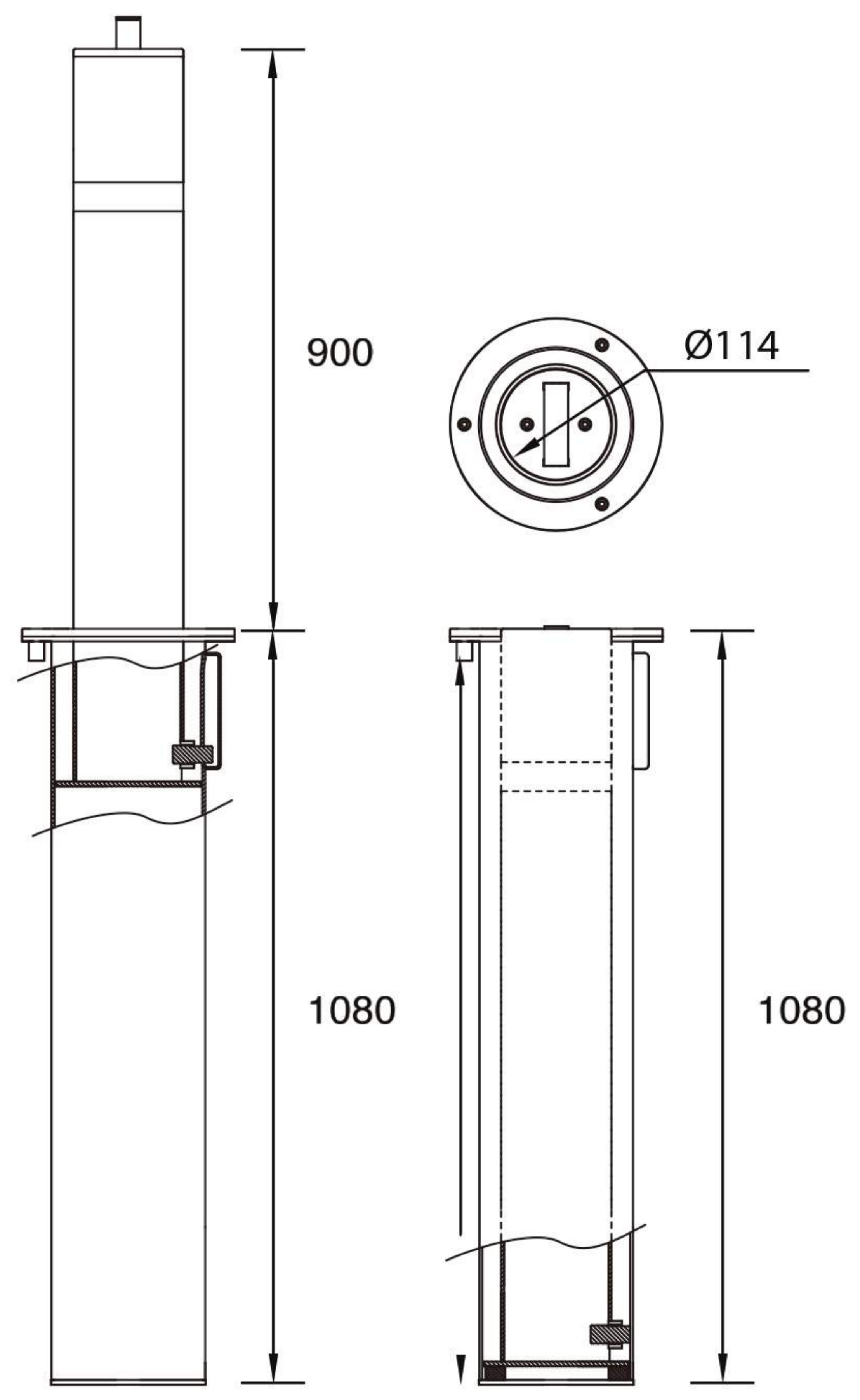
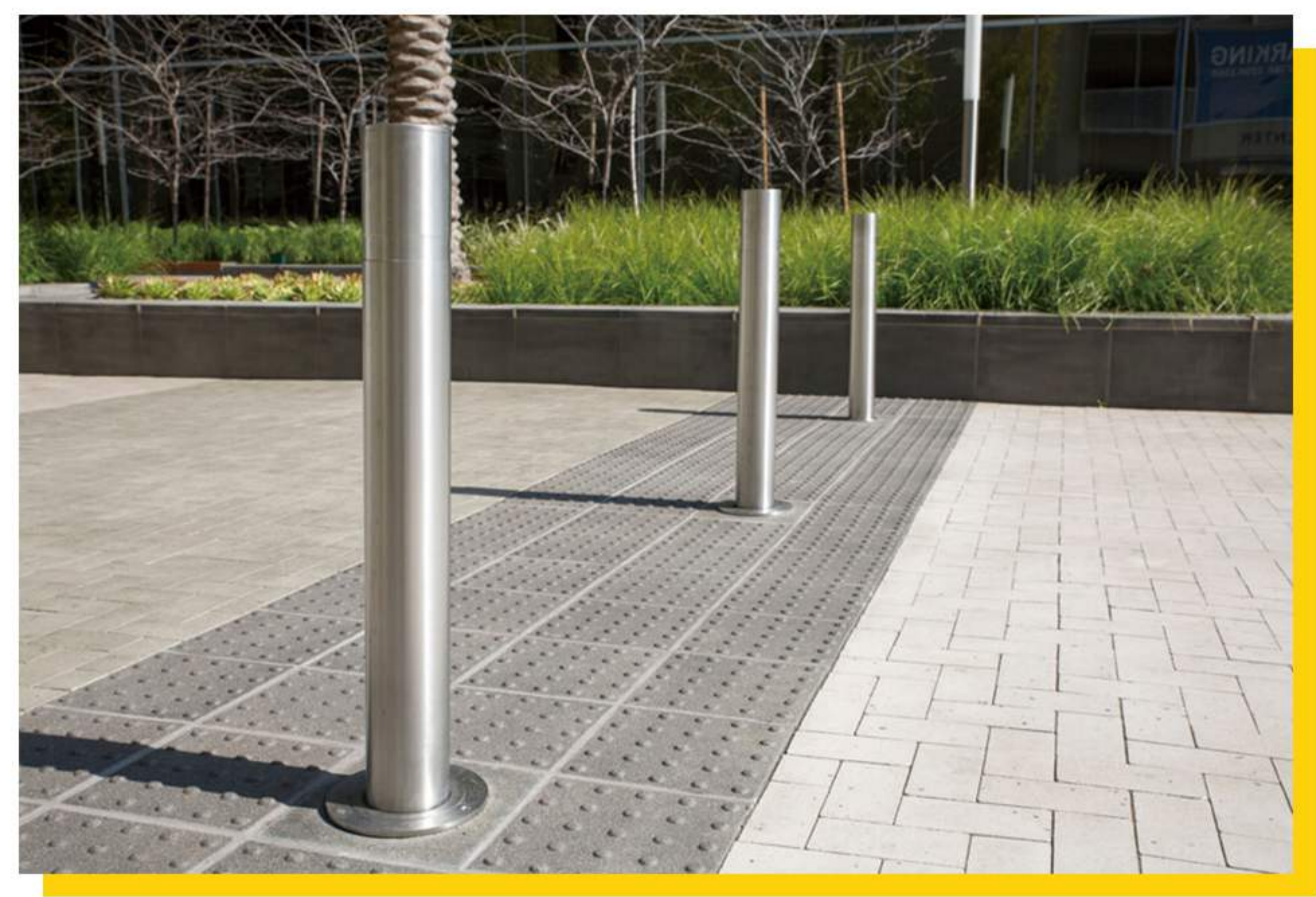


type 1



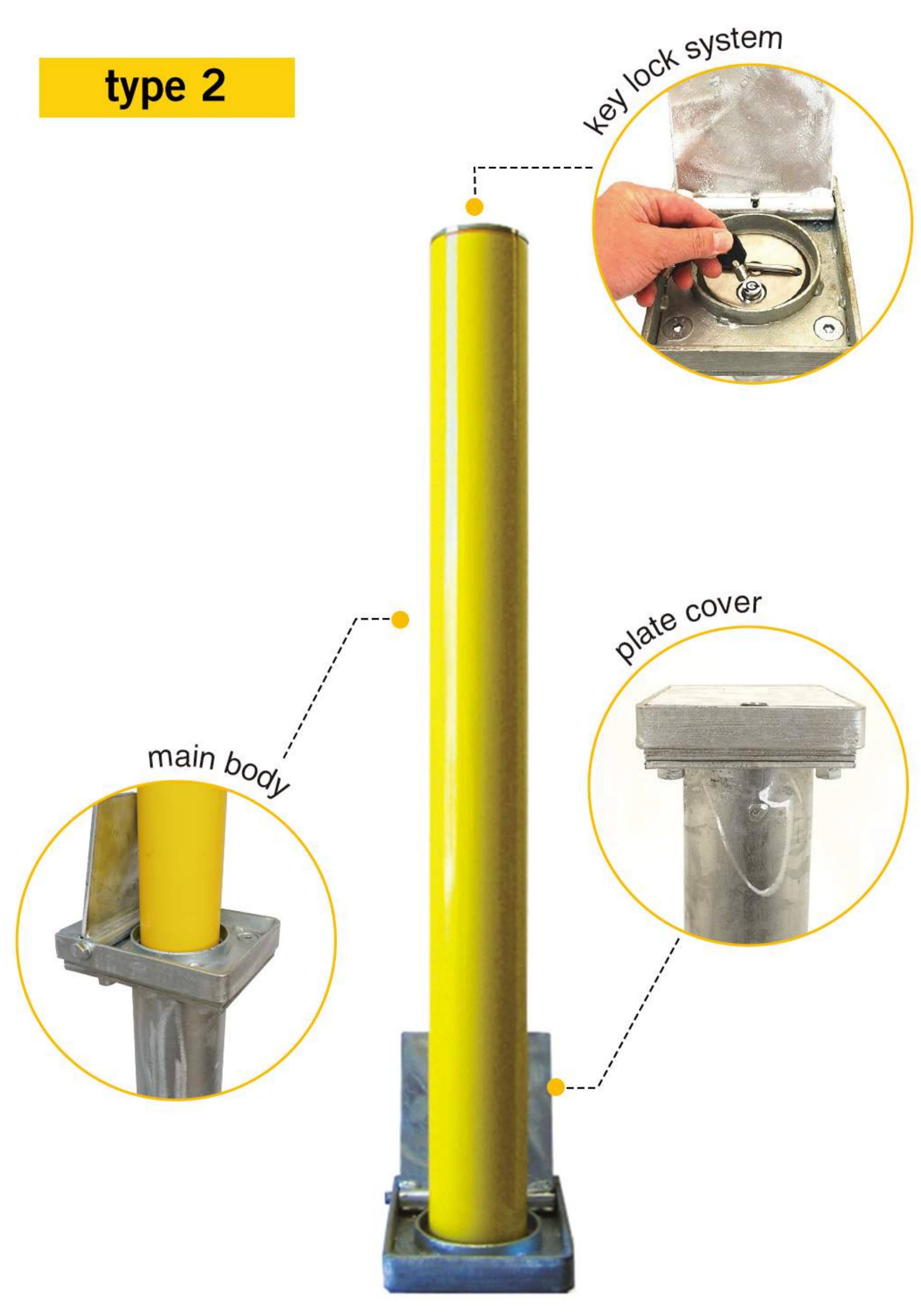
Advantage

- Lifted easily.
- Economical and easy to install.
- High resistance to corrosion and weathering.
- High security anti-theft locking mechanism.
- 3M diamond level reflective tape for warning.
- Color and material can be customized.
- One year standard warranty.



Technical Specs-type1	
Model Name	KGH-RB-114.900.3
Diameter	114mm
Height	900mm
Thickness	3mm
Material	Carbon Steel/304SS/316SS
Handle Type	Standard
Lock system	Side Key-lock
Colour	Yellow/Black/Sliver
Surface Treatment	Carbon Steel:Hot galvanizing and Spraying 304SS/316SS:Brushed and Polished

type 2

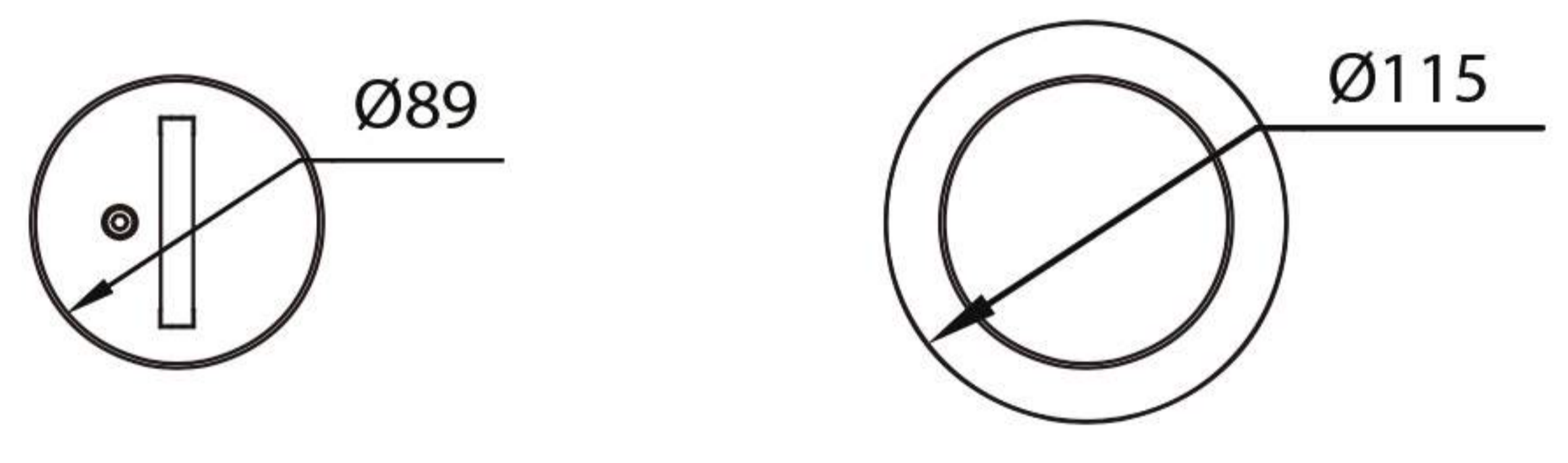
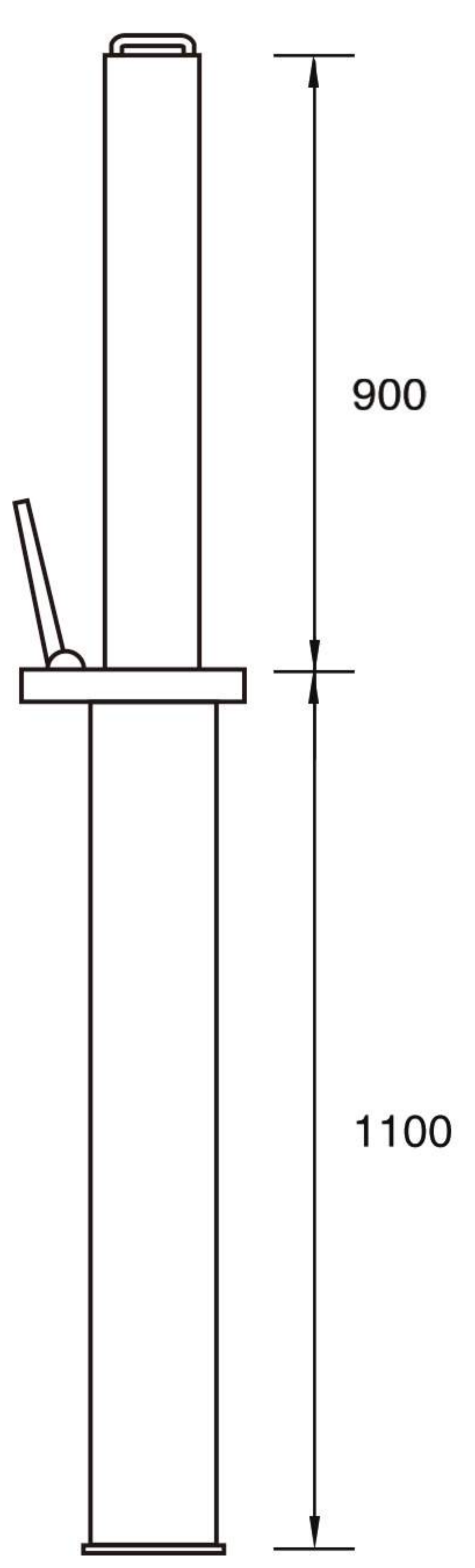
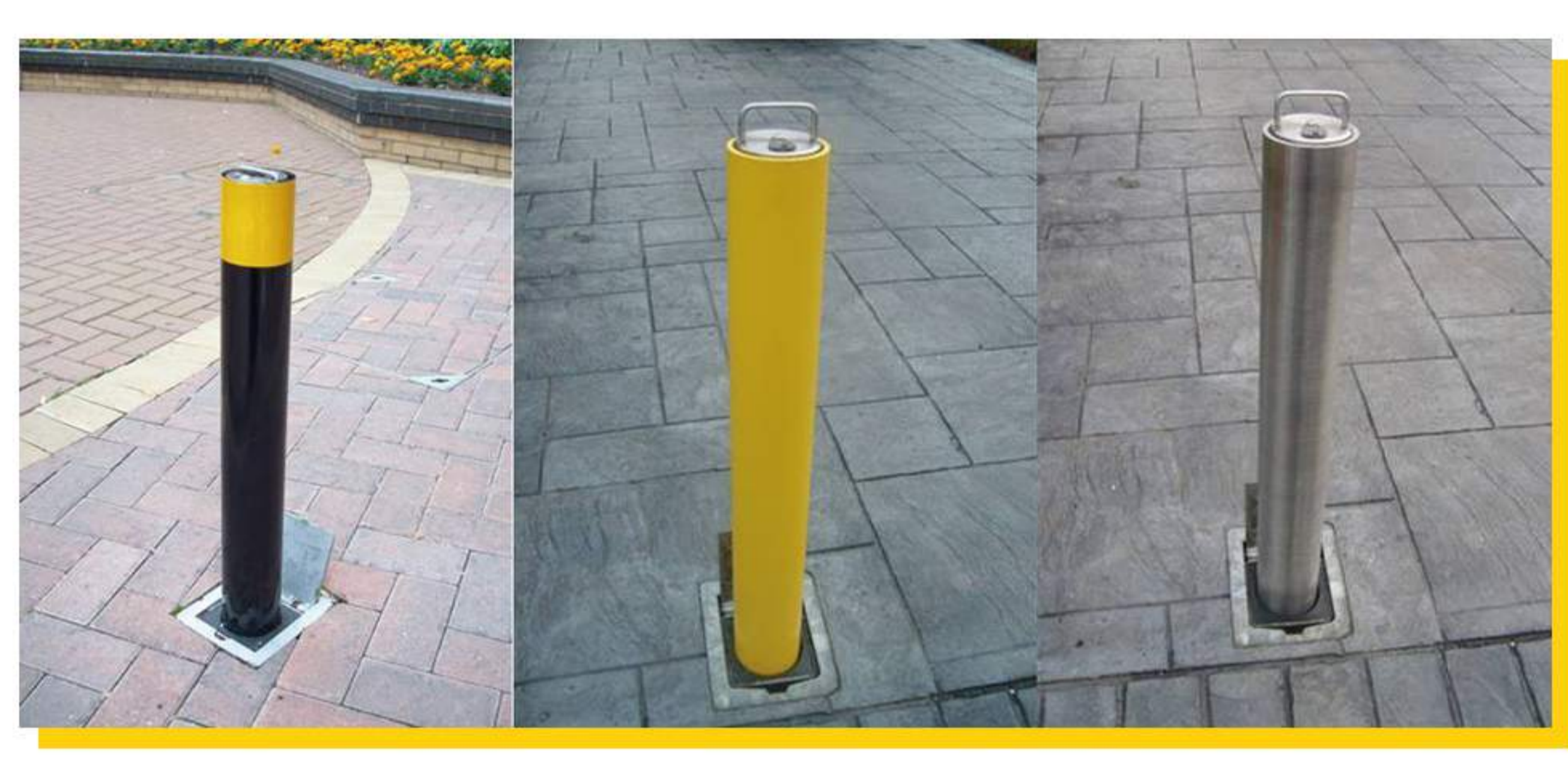


Features

- Integral top lock system
- Protective seal capping
- Economical and easy to install
- Lifted easily
- Hot dip galvanizing and powder coating
- Material can be customized

Optional

- Material: carbon steel/304SS
- Colour • Fixings • Key differ/alike



Technical Specs-type1	
Model Name	KDJ-RB-89.900.3.0
Diameter	89mm
Height	900mm
Thickness	3mm
Material	Carbon Steel/304SS/316SS
Handle Type	Standard
Lock system	Side Key-lock
Colour	Yellow/Black/Sliver
Surface Treatment	Carbon Steel: Hot galvanizing and Spraying 304SS/316SS: Brushed and Polished