



Removable Bollard



Removable bollards allow for period access requirements. Designed for vehicle access control requirement of residential area, commercial and retail premises, walkstreet, car show room, plaza etc, while preserving sightlines and unobstructed pedestrian flow. Easily remove bollards to allow temporary passage of service, delivery, or emergency vehicles, or increase accessibility of plazas, parking lots, and other spaces for seasonal or event use.

APPLICATION

1. Plazas
2. Parking lots
3. Retail Shopping Centres
4. Hotel
5. Office Building
6. Pedestrian Zone

ADVANTAGE

1. High resistance to corrosion and weathering
2. High security anti-theft locking mechanism
3. Economical and easy to install
4. Lifted and removed easily
5. Reflective tape for warning
6. High security anti-theft locking mechanism



type 1

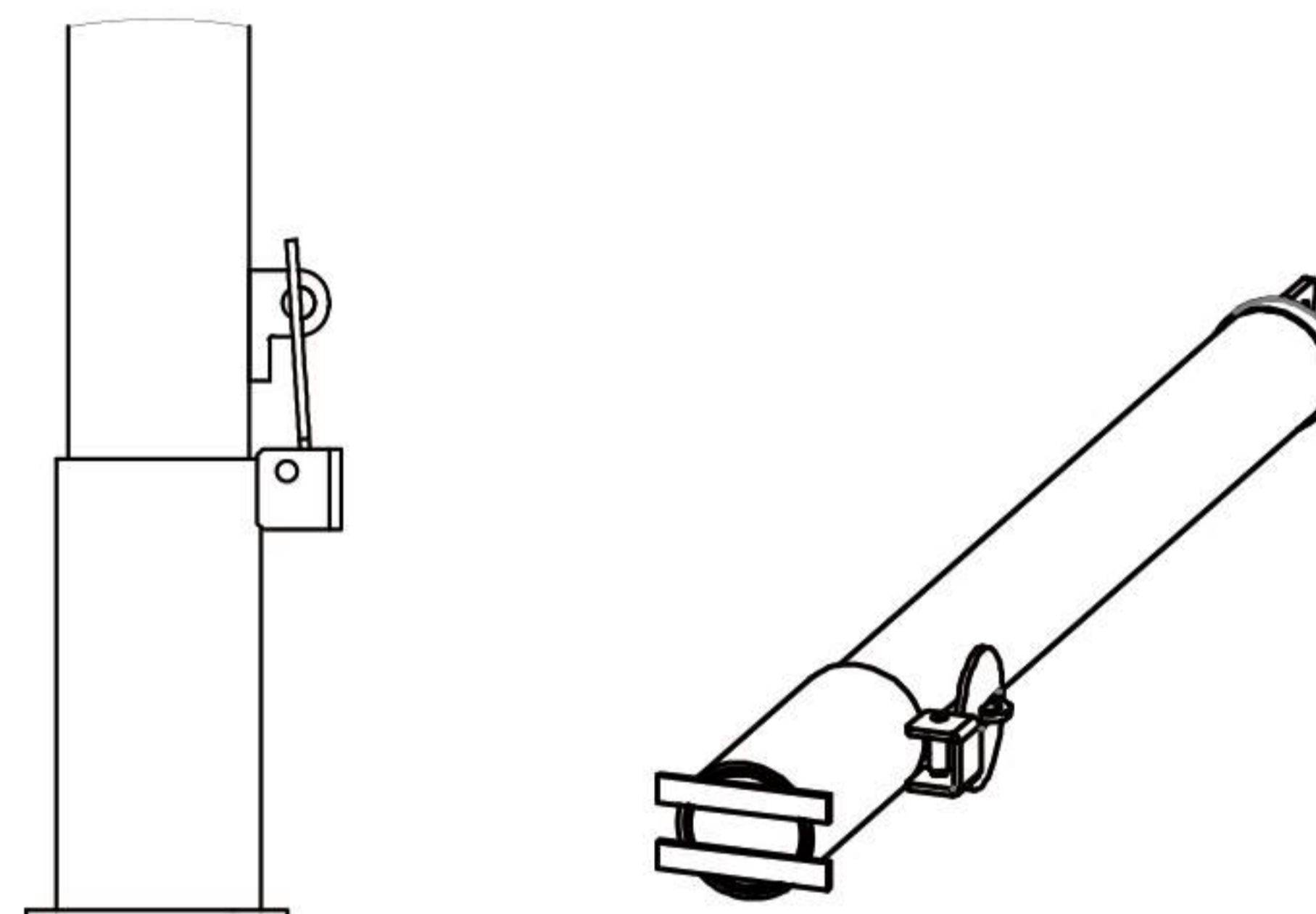
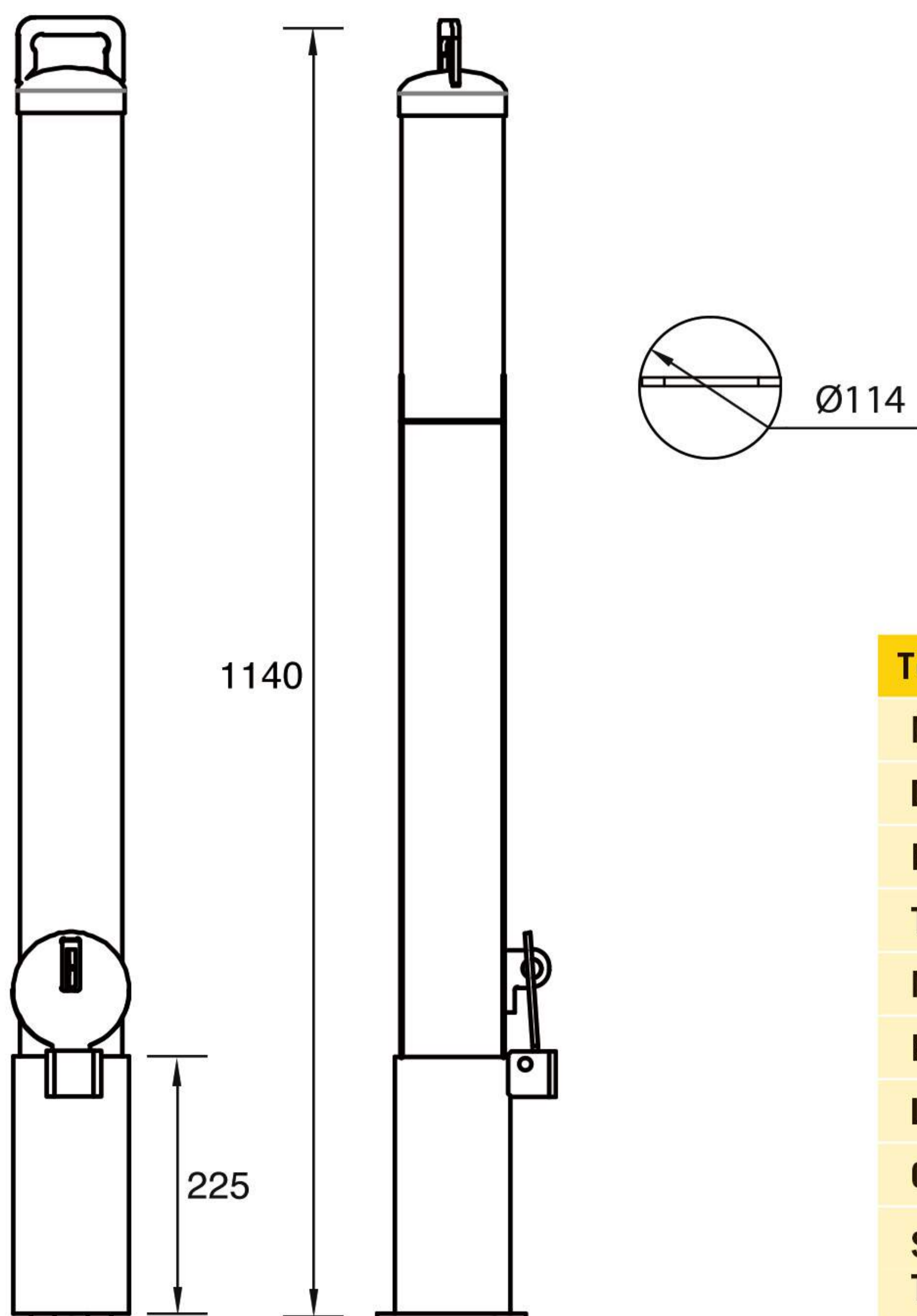


Features

- Pad lock System
- Hot dip galvanizing & Power coating
- Effective locking mechanism
- Low-cost installation and maintenance
- Customized size and material
- Reflective tape

Optional

- Reflective tape • Key differ/same • Fixings



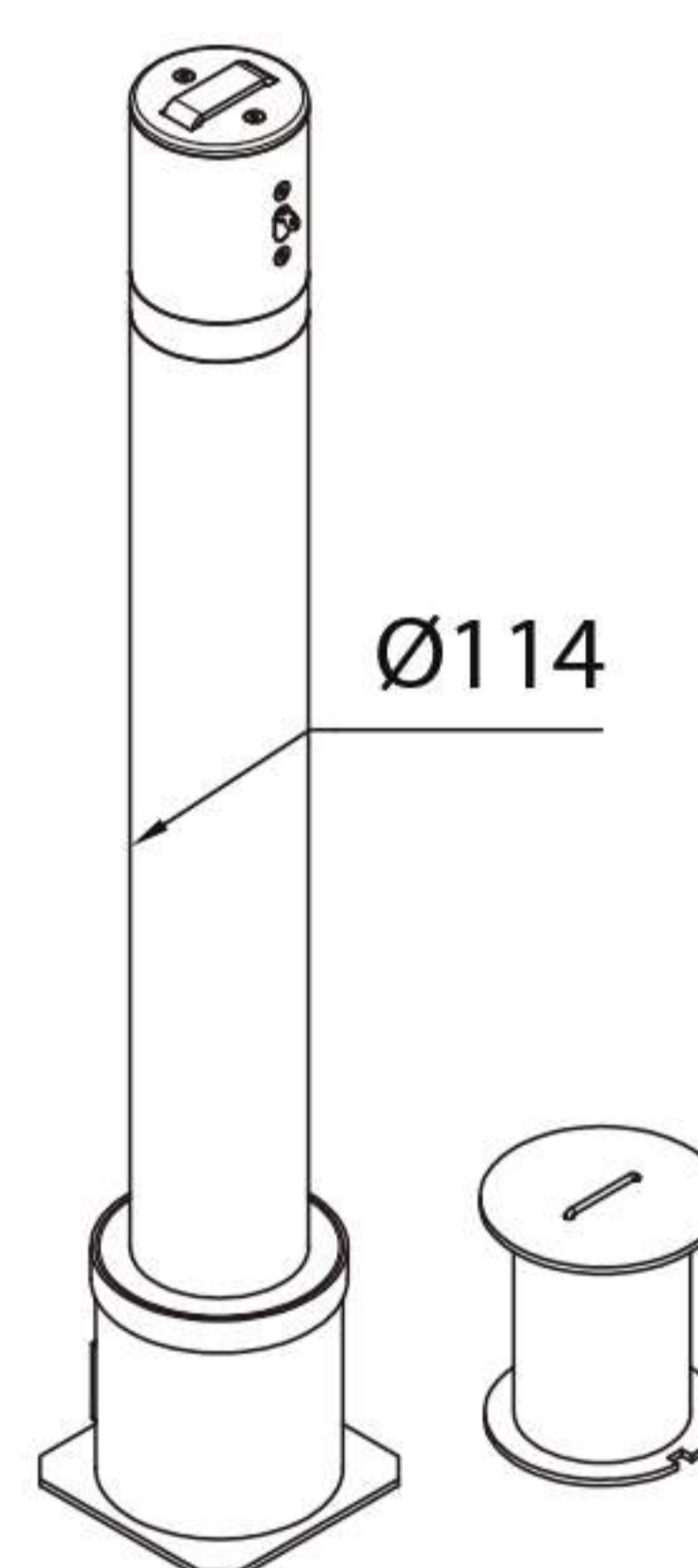
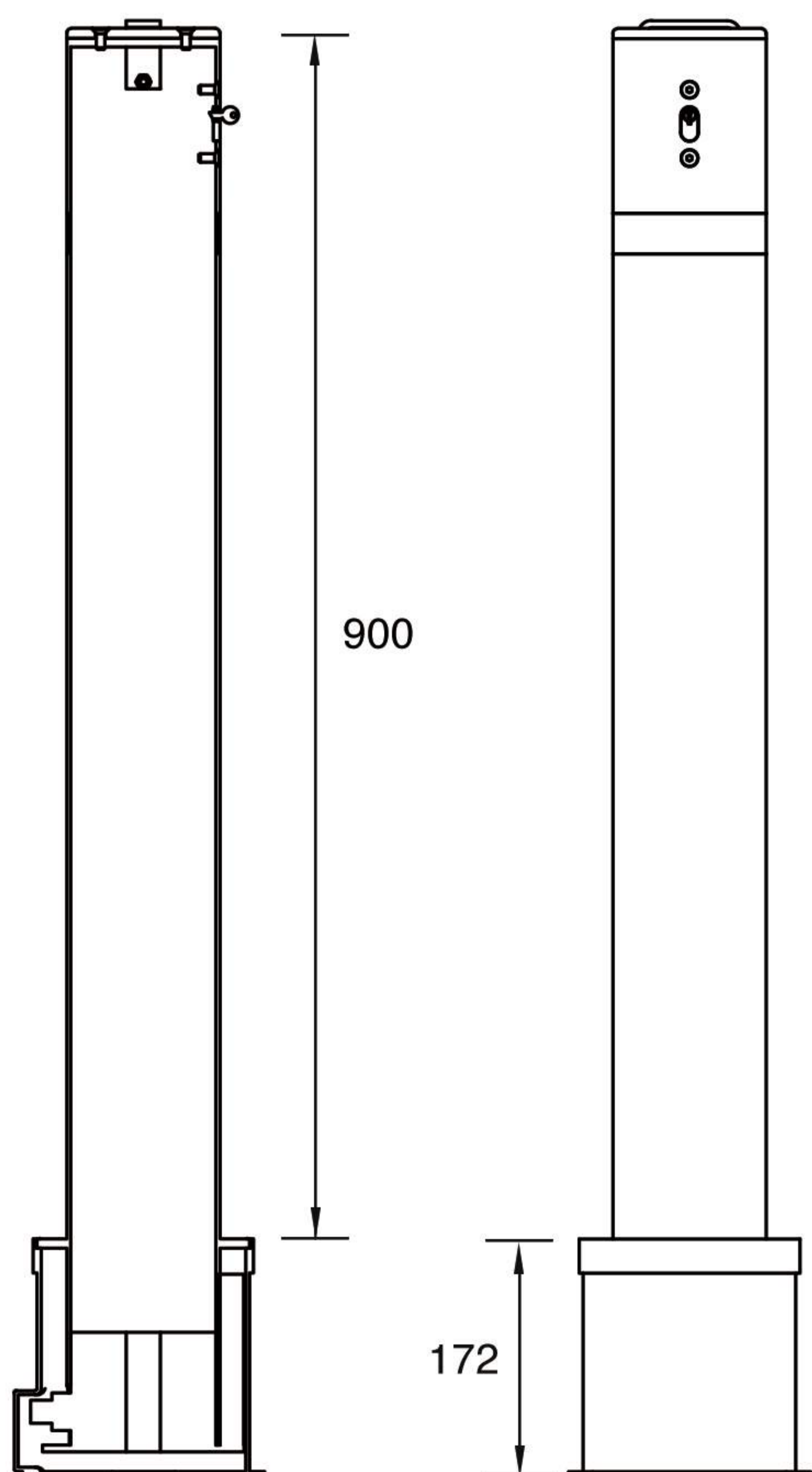
| Technical Specs-type1 | |
|-----------------------|-------------------------------------------------------------------------------|
| Model Name | KDJ-PREB-89.900.3 |
| Diameter | 89mm |
| Height | 900+120mm |
| Thickness | 3mm |
| Material | Carbon Steel/304SS/316SS |
| Handle Type | Standard |
| Lock system | Side Key-lock |
| Colour | Yellow/Black/Sliver |
| Surface Treatment | Carbon Steel:Hot galvanizing and Spraying 304SS/316SS:Brushed and Polished |

type 2



Features

- Lifted easily
- Built-in lock system
- Economical and easy to install
- High resistance to corrosion and weathering
- 3M diamond level reflective tape for warning.
- 260 mesh Polish and Brush



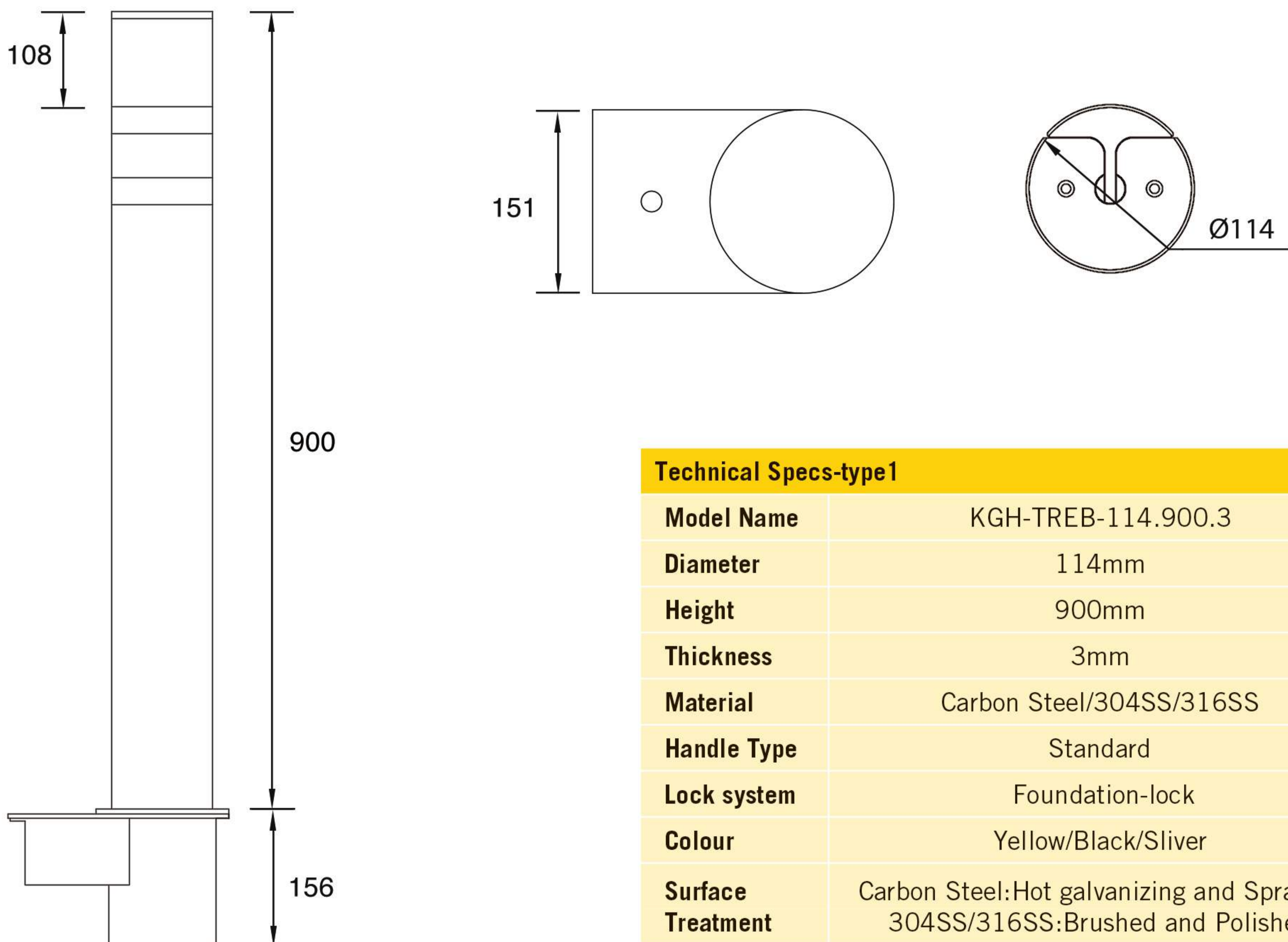
| Technical Specs-type1 | |
|-----------------------|-------------------------------------------------------------------------------|
| Model Name | KGH-REB-114.900.3 |
| Diameter | 114mm |
| Height | 900mm |
| Thickness | 3mm |
| Material | Carbon Steel/304SS/316SS |
| Handle Type | Standard |
| Lock system | Side Key-lock |
| Colour | Yellow/Black/Sliver |
| Surface Treatment | Carbon Steel:Hot galvanizing and Spraying 304SS/316SS:Brushed and Polished |

type 3



Features

- Lifted easily
- Built-in lock system
- Economical and easy to install
- High resistance to corrosion and weathering
- 3M diamond level reflective tape for warning.
- 260 mesh Polish and Brush



| Technical Specs-type1 | |
|-----------------------|-------------------------------------------------------------------------------|
| Model Name | KGH-TREB-114.900.3 |
| Diameter | 114mm |
| Height | 900mm |
| Thickness | 3mm |
| Material | Carbon Steel/304SS/316SS |
| Handle Type | Standard |
| Lock system | Foundation-lock |
| Colour | Yellow/Black/Sliver |
| Surface Treatment | Carbon Steel:Hot galvanizing and Spraying 304SS/316SS:Brushed and Polished |

type 4

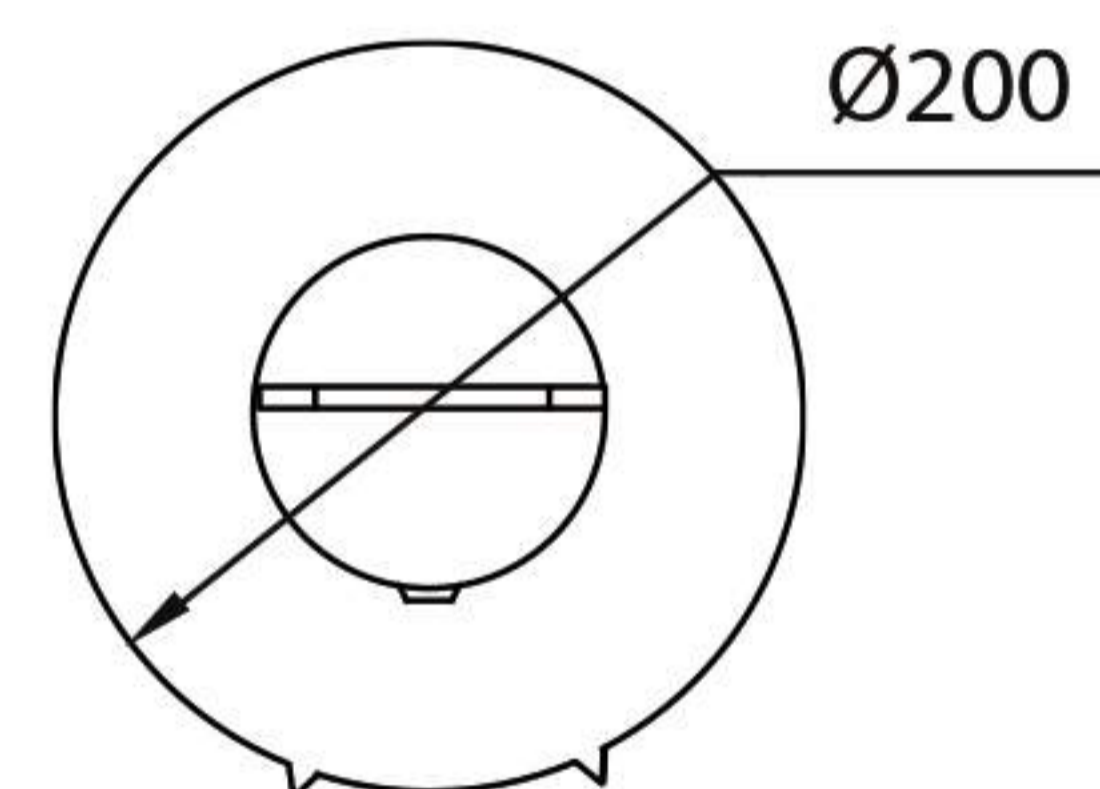
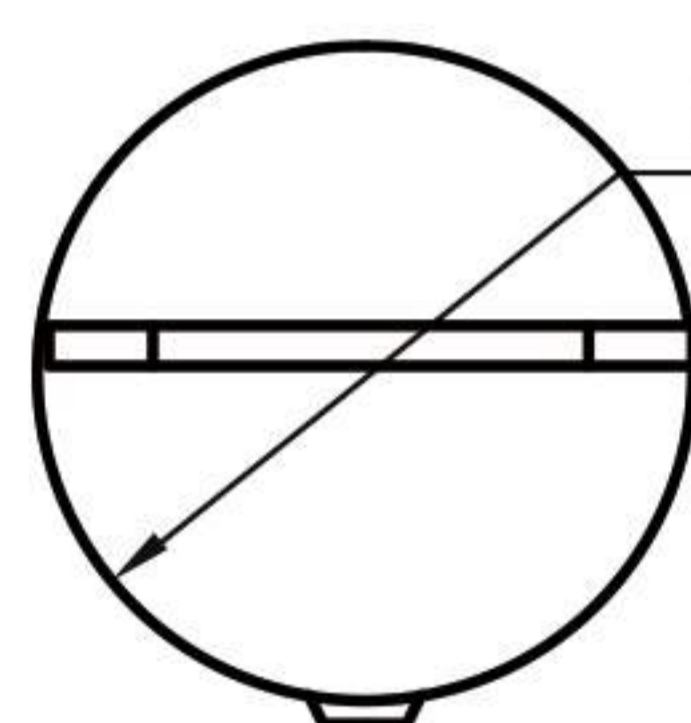
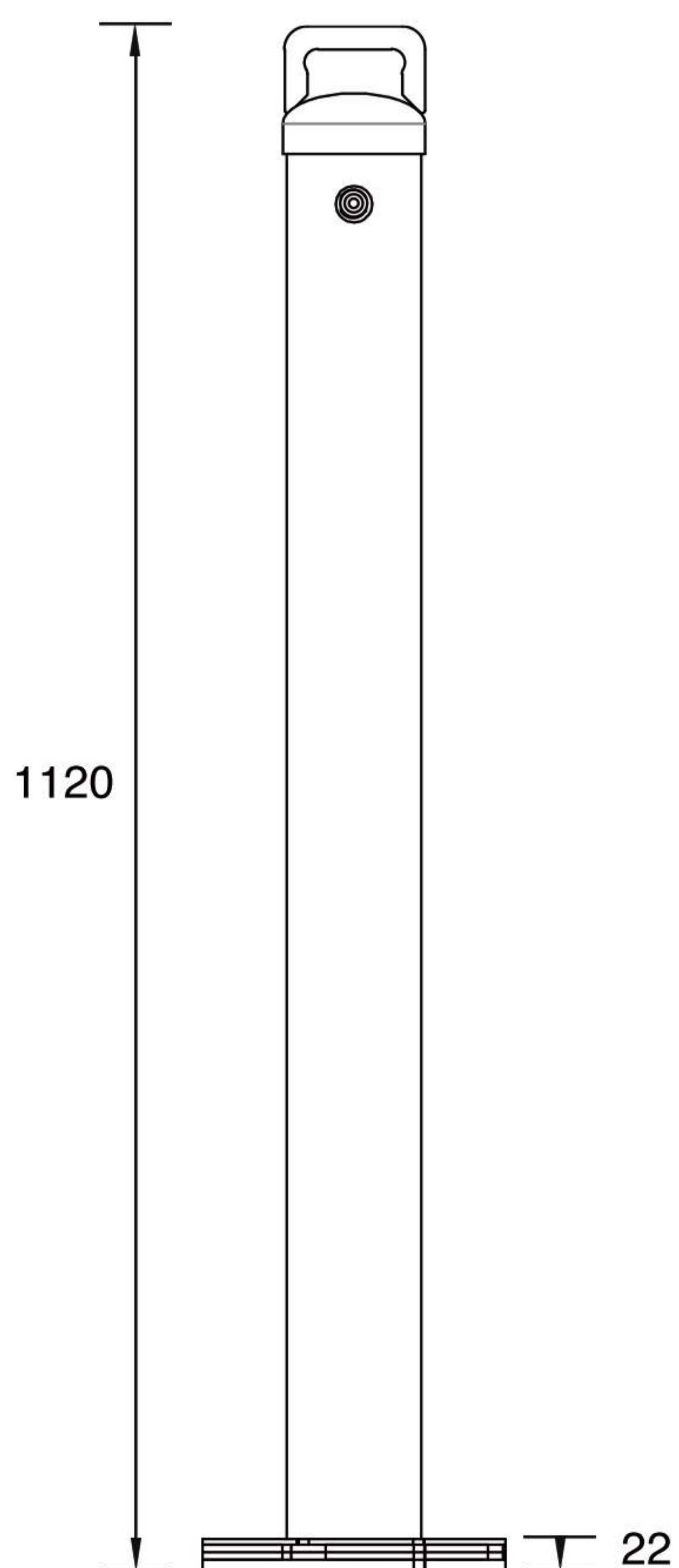
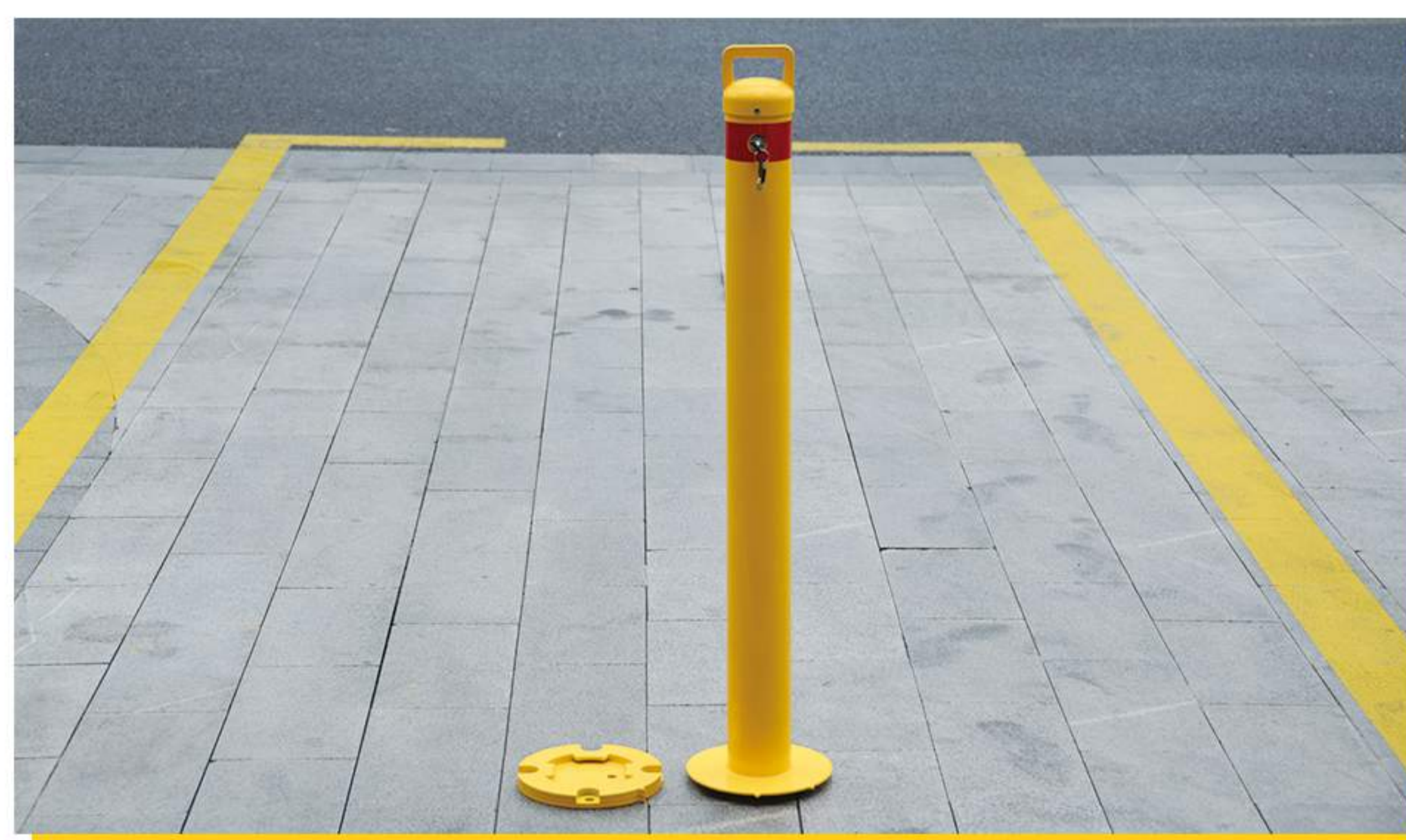


Features

- Surface mounted
- No extra depth digging
- Easy installation
- Hot dip galvanizing and spraying
- Can be customized of 304SS or 316SS

Optional

- Reflective tape: Colour & Quantity
- Base Plate
- Fixings



| Technical Specs-type1 | |
|-----------------------|-------------------------------------------------------------------------------|
| Model Name | KDJ-SREB-89.900.3 |
| Diameter | 89mm |
| Height | 900+120mm |
| Thickness | 3mm |
| Material | Carbon Steel/304SS/316SS |
| Handle Type | Standard |
| Lock system | Side Key-lock |
| Colour | Yellow/Black/Sliver |
| Surface Treatment | Carbon Steel:Hot galvanizing and Spraying 304SS/316SS:Brushed and Polished |