



Design for pedestrian access control
Tripod Turnstile KVS-T20

Overview

KAVASS'Tripod turnstile is a controlling device which is designed for pedestrian access control. It is widely used in gymnasium, tourist attractions, factory, train station and so on. It also can be installed in outdoor environment. Tripod turnstile is the most effective-cost way to control pedestrian access and reliability is very high.

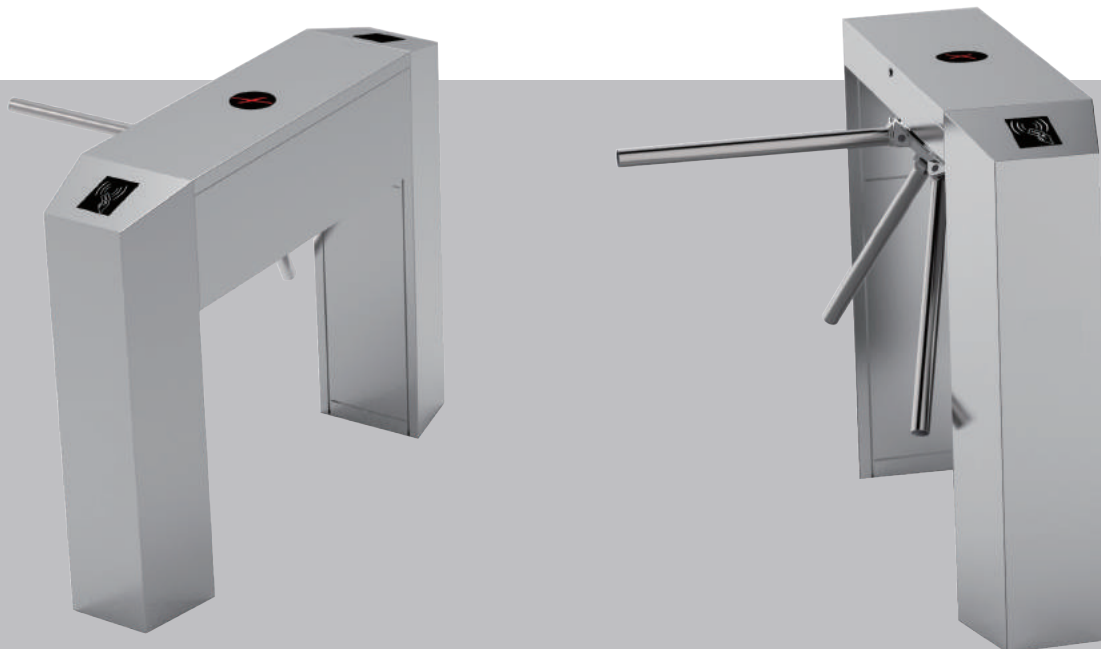
Our Competitive Advantages

- User safety
Emergency operation
- Durability
Suitable for stream of people
- Easy to install
Completely pre-assembled
- Support
24 hours 7 days
- Easy maintenance
Modular design
- Guarantee
1~3 years
- Exquisite craft
Laser cutting



Feature

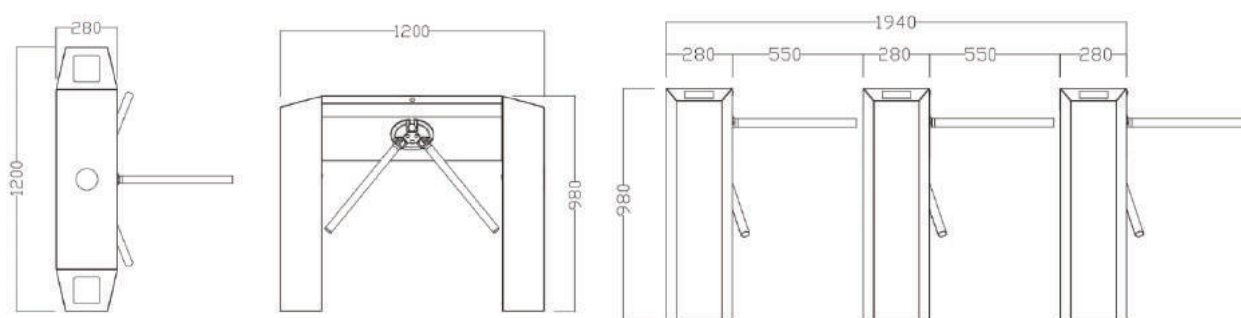
- Architectural esthetic design, high quality brushing 304SS, stainless steel frame.
- The hydraulic shock absorber can not only avoid the equipment vibration well, but also ensure a smooth operation to achieve nice usage experience.
- Drop down arm design ensure users safety when emergency happened.
- When the turnstile rotates over 60°, the arms will be locked automatically to stop it from rotating back to avoid the tailing people pass through.
- Flexible extendibility. Operated by access control system and manual control both are available
- Easy installation and low cost maintenance due to modular design



Technical Parameters

Type	KVS-T20	Motor voltage	24V
Dimension	1200*280*980mm	Temperature	-25 ℃ ~+70 ℃
Net weight	56kg	Environment	Indoor,Outdoor
Lane width	≤550mm	Input Signal	Dry contact/Relay signal
Housing material	304 Stainless steel ;Thickness:1.0-1.2mm	Emergency open	Yes
Surface finish	Standard hairline polish	IP	67
Arm status when power off	Arm will be dropped down automatically	MCBF	3.2 million
Pass rate	35 persons/minute	Supply voltage	100V~240V
Control	Access control system/manual control When power off both directions are free	Optional accessories	Proximity card reader, finger print reader , Bar codereader, access controller,Push Button, UPS




Installation Draw



Unit:mm

- Power wire tube
- Communication wire tube
- RS486,TCP/IP or other type of opening signal wire tube

Contact Us

 www.ikavass.com
 info@ikavass.com
 +86-571-88690663

 BuildingB,Zijin Pioneer Park,859# Shixiang west street,Hangzhou city,Zhejiang,China